



# TRADITION 405

COMPOUND CROSSBOW

| Owner's Manual |





## WELCOME

We're honored that you've selected the Tradition 405 Compound Crossbow. Whether this crossbow is a gift for yourself or a way for you to help welcome others into the hunters' way of life, we trust it will impress.

For your own safety:

### PLEASE READ THIS ENTIRE OWNER'S MANUAL BEFORE USING YOUR TRADITION 405 COMPOUND CROSSBOW.

Crossbows—including the Tradition 405—are intended for hunting and target shooting. If used incorrectly or carelessly, they can injure or kill you and those around you. We want you to take your best shot—and only your best shot. BE CAREFUL—SHOOT SAFELY!

If this is your first CenterPoint crossbow, you may welcome some extra guidance before you first cock, load, or fire your Tradition 405. If you have any questions or concerns about this product, its proper assembly, or safe use, please do not hesitate to contact us via [centerpointarchery.com/contact/](http://centerpointarchery.com/contact/). Our customer service experts are available Monday through Friday, from 8AM to 5PM CST, and we're happy to help you.

## WELCOME TO THE CENTERPOINT FAMILY

You were born for this.

**⚠ WARNING:** RECOMMENDED FOR ADULT USE ONLY. MISUSE OR CARELESS USE MAY RESULT IN SERIOUS INJURY OR DEATH. READ ALL INSTRUCTIONS BEFORE USING. RETAIN INSTRUCTIONS AND SAFETY MANUAL FOR FUTURE REFERENCE.

**⚠ WARNING:** ALWAYS KEEP YOUR HANDS, FINGERS, AND THUMBS OUT OF THE TRAVEL PATH OF THE BOWSTRING AND CABLES AND BELOW THE RAIL WHEN A CROSSBOW IS COCKED.

**⚠ WARNING:** BUYER AND USER HAVE THE DUTY TO OBEY ALL LAWS ABOUT THE USE AND OWNERSHIP OF THIS CROSSBOW.

**⚠ WARNING:** THIS PRODUCT CAN EXPOSE YOU TO CHEMICALS INCLUDING LEAD, WHICH IS KNOWN TO THE STATE OF CALIFORNIA TO CAUSE CANCER, AND LEAD, WHICH IS KNOWN TO THE STATE OF CALIFORNIA TO CAUSE BIRTH DEFECTS OR OTHER REPRODUCTIVE HARM. FOR MORE INFORMATION, GO TO [WWW.P65WARNINGS.CA.GOV](http://WWW.P65WARNINGS.CA.GOV).

## Section 1: Safety

Please do not skip reading this page. The following rules are essential for safe crossbow use and maintenance.

- ALWAYS treat this crossbow as though it is loaded and ready to fire.
- ALWAYS treat this crossbow with the same respect you would a firearm.
- ALWAYS store this crossbow unloaded and away from children.
- ALWAYS make sure that this crossbow is unloaded and its safety switch is set to SAFE before transferring it to or from another person, or taking it out of storage.
- ALWAYS keep this crossbow's safety switch set to SAFE until you are ready to shoot.
- ALWAYS be sure of your target and what is potentially behind your target.
- ALWAYS check your archery backstop for wear before and after target shooting. All target backstops are subject to wear and will eventually fail. Replace your target backstop when the surface becomes worn or damaged.
- ALWAYS check your crossbow thoroughly for worn, damaged, loose, or missing parts prior to shooting.
- ALWAYS check your rope cocking device thoroughly for worn, damaged, loose, or missing parts prior to use.
- ALWAYS inspect your arrows regularly. Shooting a damaged arrow may cause you or those near you serious injury. Any nicked, dented, split, or splintered arrows should be discarded immediately.
- ALWAYS keep your hands, fingers, and thumbs out of the travel path of the bowstring and cables and below the rail when a crossbow is cocked.
- ALWAYS be sure the crossbow's limbs are clear from striking any obstacle before shooting. Firing will allow the limbs to decompress with dramatic force. If doing so causes crossbow limbs to strike an obstacle, the crossbow and the obstacle may both suffer significant damage.
- ALWAYS wear safety glasses when using any type of bow.
- NEVER use this crossbow with a target that is not designed for use with a crossbow. Arrows fired from this crossbow can easily penetrate inferior targets and worn backstops.
- NEVER cock or load this crossbow until you are ready to shoot.
- NEVER point this crossbow at any person or at anything you do not intend to shoot.
- NEVER rely on this crossbow's auto-safety or any other mechanical device as a replacement for safe handling practices.
- NEVER put your finger on the trigger or inside the trigger guard until you are ready to shoot.
- NEVER dry fire this crossbow. Shooting without an arrow nocked will damage your crossbow and could injure you.
- NEVER shoot any arrow, bolt, or projectile from this crossbow except for those recommended by CenterPoint for use with the Tradition 405 Compound Crossbow. Shooting non-recommended projectiles could result in injury to you or damage to the crossbow. ONLY load 20" arrows with a half moon nock with a finished weight of 400 grains or above in an Tradition 405 Compound Crossbow.
- NEVER cock your crossbow beyond its maximum power stroke or you may damage its limbs, cables, and/or bowstring.
- NEVER use your hand, the rope cocker, or approved cranking device to de-cock this crossbow as it may cause serious injury to you or damage to the crossbow.
- NEVER attempt to disassemble or tamper with this crossbow, as special tools are required. Contact an archery shop for assistance. Attempting to modify this crossbow in any way not described in this Owner's Manual may render this crossbow unsafe and will void the warranty.

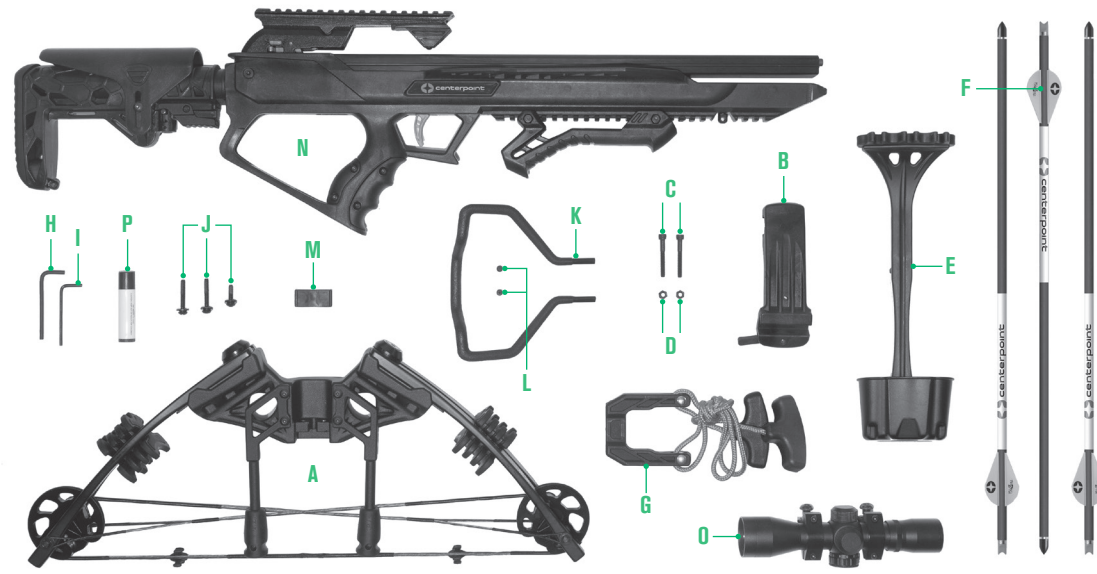


## Section 2: Meet the Tradition 405

### PARTS LIST

Please check to ensure all parts are present before attempting assembly.

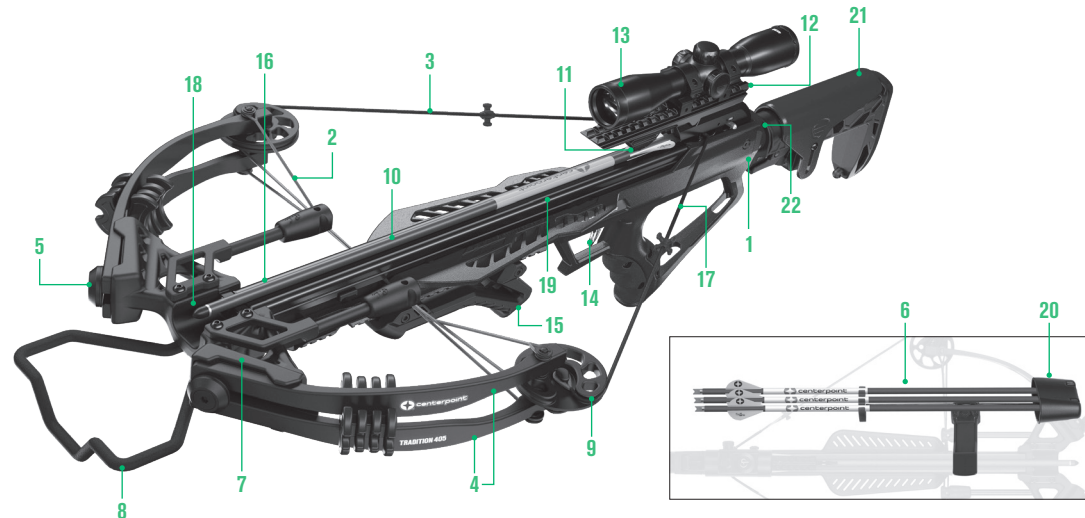
- |   |                                     |                                     |   |
|---|-------------------------------------|-------------------------------------|---|
| <b>A.</b> Riser Assembly (W/Strings/Cables) | <b>E.</b> Quiver                    | <b>I.</b> Small Assembly Hex Wrench | <b>M.</b> Cable Slide                       |
| <b>B.</b> Quiver Mounting Bracket           | <b>F.</b> 20" Carbon Arrows (3)     | <b>J.</b> Riser Mounting Screws (3) | <b>N.</b> Crossbow Main Body (Stock/Barrel) |
| <b>C.</b> Quiver Mount Screws (2)           | <b>G.</b> Rope Cocker               | <b>K.</b> Foot Stirrup              | <b>O.</b> 4x32 Illuminated Scope & Rings    |
| <b>D.</b> Quiver Bracket Locking Nuts (2)   | <b>H.</b> Large Assembly Hex Wrench | <b>L.</b> Stirrup Screws (2)        | <b>P.</b> Rail Lube                         |



### THE PARTS OF AN TRADITION 405 CROSSBOW

Familiarizing yourself with the terminology used to describe the parts of a crossbow will aid you during assembly. This schematic shows a fully assembled, cocked, and loaded Tradition 405 Compound Crossbow.

- |                                  |  |                          |                        |
|----------------------------------|--|--------------------------|------------------------|
| <b>1.</b> Stock                  | <b>7.</b> Limb Pocket                    | <b>13.</b> Scope         | <b>18.</b> Riser       |
| <b>2.</b> Cables                 | <b>8.</b> Foot Stirrup                   | <b>14.</b> Trigger       | <b>19.</b> Rail        |
| <b>3.</b> String                 | <b>9.</b> Cam                            | <b>15.</b> Fore Grip     | <b>20.</b> Quiver      |
| <b>4.</b> Split Limb             | <b>10.</b> Barrel                        | <b>16.</b> Flight Groove | <b>21.</b> Buttstock   |
| <b>5.</b> Limb Bolt / Limb Bezel | <b>11.</b> Ball Bearing Retention Spring | <b>17.</b> Serving       | <b>22.</b> Rope Groove |
| <b>6.</b> Arrows                 | <b>12.</b> Sight Bridge                  |                          |                        |



## Section 3: Assembling Your Tradition 405

Please visit [centerpointarchery.com/tradition-405#dm](https://centerpointarchery.com/tradition-405#dm) to find a helpful video that walks you through assembling the Tradition 405, step-by-step.

It should take you about 30-minutes to properly assemble your Tradition 405 Compound Crossbow. Beyond the materials and tools supplied, you will also need a flat-head screwdriver. Please follow the steps below in order:

### 1 Installing the Riser

- 1a** Attach the cable slide (M) to the cables so that the cables cross on the left side of the riser. (Fig. 3)
- 1b** Slide the cable slide into the opening at the end of the barrel while sliding the string down the top of the rail. (Fig. 4)
- 1c** Slide the riser (Fig. 2 No. 18) onto the barrel. Install and tighten the riser mounting screws (3) (Fig. 5), using the small 1/8 hex wrench.

### 2 Inserting the Stirrup

- 2a** Attach the stirrup onto the riser by using the 2 stirrup mounting screws (L) using the small hex wrench. (Fig. 6)

**NOTE:** Be sure that the limb Riser bolt screw and limb Riser assembly is secured tightly to the crossbow barrel before using the crossbow. Assembly bolts may need to be retightened periodically after use.

### 3 Assembling the Quiver

- 3a** Screw the quiver mount into the quiver with quiver screws use a screwdriver (not included). (Fig. 7)
- 3b** Affix the parallel quiver mount bracket to the bottom picatinny rail. (Fig. 8)

### 4 Attaching the Quiver to the Crossbow

- 4a** Connect quiver mount A to quiver mount B by sliding the two mounts together locking in place with locking lever.
- 4b** Ensure quiver is locked and secure.

### 5 Attaching the Scope

- 5a** Attach the Scope mount rings onto the scope using the scope mount screws (4).
- 5b** Position your scope by moving it forward or backward until the proper eye relief is found. This is typically three or four inches from your eye to the eyepiece when you are holding the crossbow in a shooting position.
- 5c** Align the scope mount with the slots on the sight bridge rail. (Fig. 9)
- 5d** Align the screws with the grooves on the rail, and tighten screw heads with a screw driver (not included).

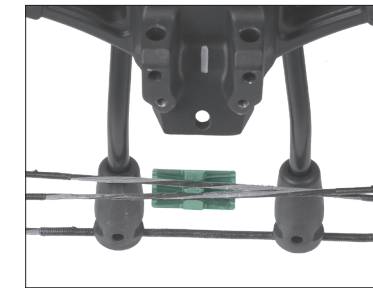


FIGURE 3

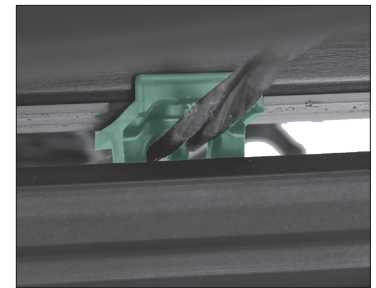


FIGURE 4

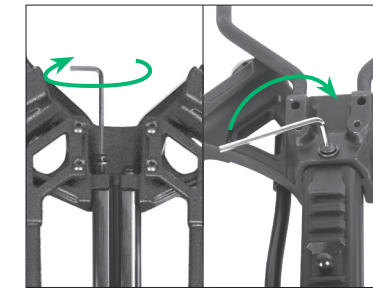


FIGURE 5

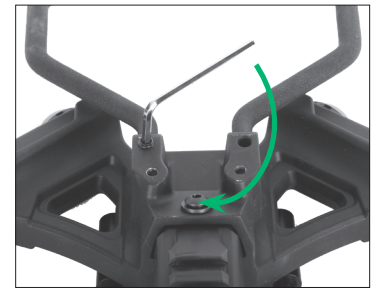


FIGURE 6

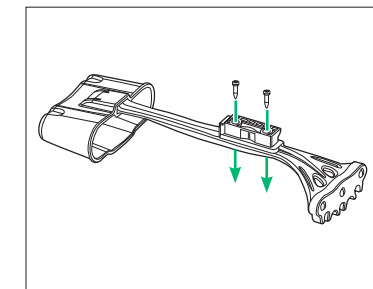


FIGURE 7

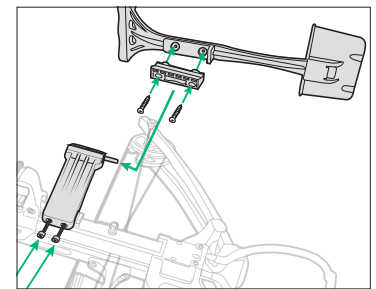


FIGURE 8



FIGURE 9



## Section 4: Engaging the Safety

**CAUTION:** LIKE ALL MECHANICAL DEVICES, A CROSSBOW SAFETY CAN FAIL. EVEN WHEN THE SAFETY IS "ON SAFE," YOU SHOULD CONTINUE TO HANDLE THE CROSSBOW IN A SAFE MANNER.

**NOTE:** The safety automatically is engaged and the safety switch moves to the ON SAFE position when the crossbow is cocked in a normal manner (see Section 5. COCKING THE CROSSBOW).

### 1 TO PUT THE CROSSBOW ON "SAFE"

- 1a Make sure the crossbow is pointed in a SAFE DIRECTION.
- 1b Slide the safety switch from the FIRE position to the ON SAFE position. (Fig. 10)
- 1c The crossbow is ON SAFE when the safety switch is moved all the way back next to the green dot.

### 2 TO PUT THE CROSSBOW ON "FIRE"

- 2a Make sure the crossbow is pointed in a SAFE DIRECTION.
- 2b Locate the safety switch on the side of the stock.
- 2c Slide the safety switch forward to the FIRE position. (Fig. 11)
- 2d The crossbow is OFF SAFE and ready to FIRE when the safety switch is moved all the way forward next to the red dot ("FIRE").

**IMPORTANT:** After the crossbow is cocked, the user should ONLY move the safety switch from the "ON SAFE" position to the "FIRE" position when the recommended arrow is loaded.

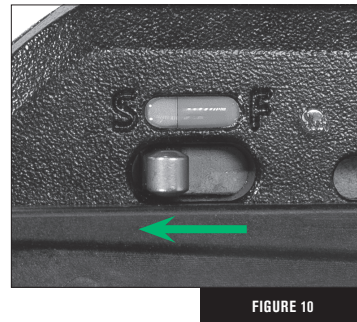


FIGURE 10



FIGURE 11

## Section 5: Using Your Tradition 405

**WARNING:** YOUR CROSSBOW FUNCTIONS BEST WHEN USING THE ROPE COCKING DEVICE DESIGNED FOR YOUR CROSSBOW. USE OF OTHER ROPE COCKERS WITH DIFFERENT ROPE LENGTHS AND HOOK DESIGN MAY BE UNSAFE TO THE USER AND MAY DAMAGE YOUR CROSSBOW.

- DO NOT cock or load the crossbow unless in a safe area and in a position to load and shoot safely.
- Be sure to apply the Rail lube to the flight track before cocking.

**NOTE:** To cock the crossbow, the safety must be in the "FIRE" position. As you cock the crossbow the safety will engage to the "ON SAFE" position.

### 3 COCKING THE CROSSBOW

- 3a Place the safety in the "FIRE" position. The crossbow will not cock if the safety is in the "SAFE" position. Pull the trigger to verify that it is ready to accept the string. If the trigger will not move, the safety is on "SAFE" and the crossbow cannot be cocked.
- 3b Place the cocking stirrup on the ground and place a foot securely inside.
- 3c Place the center of the cocking rope in the rope groove. (Fig. 12 No. 22)
- 3d Place the cocking sled onto the crossbow string ensuring that the string is fully seated on the sled, then pull with even force. (Fig. 12)
- 3e Pull both t-handles simultaneously, smoothly drawing the crossbow string back under the arrow retention spring and into the string opening of the trigger mechanism. (Tension will keep the cocking sled against the rail if done properly. (Fig. 13))
- 3f Continue drawing until the trigger safety switch moves to the "SAFE" position. (Fig. 10)
- 3g Relax the tension slightly to ensure the trigger latch has fully captured the crossbow string. **NOTE:** The main string should click into place and the safety should automatically engage. If the string is being captured by the trigger latch, let go of the string.
- 3h Once cocked, remove the rope cocking sled from the crossbow string.
- 3i The crossbow is now cocked and ready for loading an arrow.

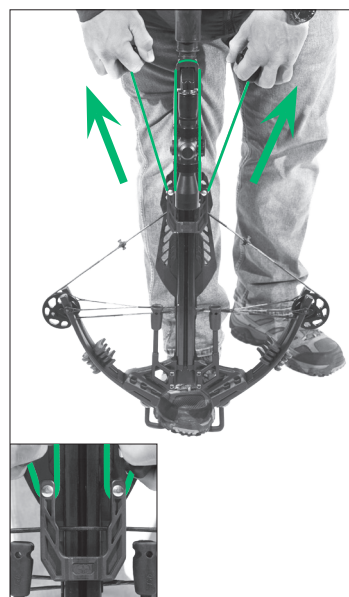


FIGURE 12

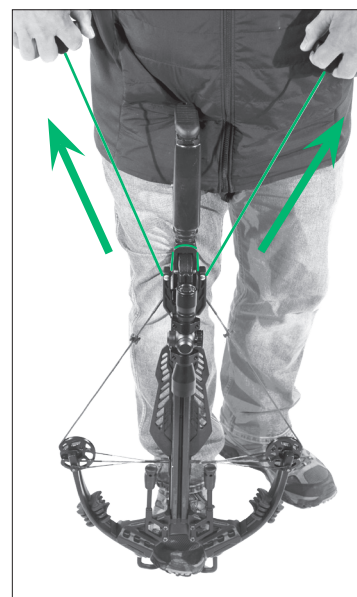


FIGURE 13

## Section 5: Using Your Tradition 405 (continued)

**WARNING:** DO NOT USE YOUR HAND OR THE ROPE COCKER TO UNCOCK THE CROSSBOW AS IT MAY CAUSE SERIOUS INJURY TO THE USER OR DAMAGE TO THE CROSSBOW.

### 4 LOADING THE CROSSBOW

- 4a Verify the crossbow safety is in the "SAFE" position.
- 4b Point the crossbow in a SAFE DIRECTION.
- 4c Be sure to use only arrows that are the recommended weight and size. (See specification Chart for arrow/bolt information).
- 4d Place the arrow so that the cocking vane/fletching (the odd colored vane/fletching), is down in the flight groove. (Fig. 14)
- 4e Slide the arrow back to the trigger assembly, under the arrow retention spring, until the arrow and 1/2 moon nock rests fully on the string.
- 4f After following these steps and reading the entire manual, including the section on reviewing safety procedures, your crossbow is now loaded and ready to fire.



FIGURE 14

**WARNING:** KEEP THE CROSSBOW IN THE "SAFE" POSITION UNTIL YOU ARE ACTUALLY READY TO SHOOT. THEN PUSH THE SAFETY FORWARD TO THE "FIRE" POSITION.

### 5 ARROW RETENTION SPRING

- If the retention spring becomes damaged, it can be replaced.
- 5a To Replace The Retention Spring
  - 5b Remove the two screws from the top of the picatinny rail. (Fig. 15 C)
  - 5c Remove the picatinny rail from the crossbow and turn over.
  - 5d Remove the two screws on the bottom of the picatinny rail holding the retention spring in place. (Fig. 15 B)
  - 5e Replace with new retention spring and retighten two screws.
  - 5f Mount the picatinny rail back on the trigger pack and retighten the two screws on the top.

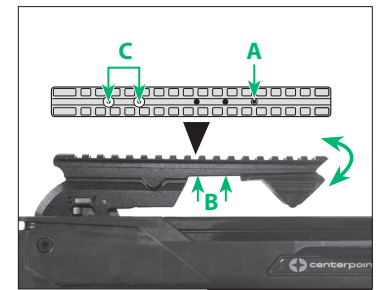


FIGURE 15

**WARNING:** KEEP FINGERS AND THUMB BELOW THE TRAVEL PATH OF THE CROSSBOW STRING AND CABLES. FAILURE TO DO SO COULD RESULT IN SERIOUS INJURY.

### 6 AIMING AND FIRING SAFELY

#### 1 Aiming the Crossbow

- Always point the crossbow in a SAFE DIRECTION.
- Always keep fingers and thumb below the travel path of the bow string. (Fig. 16)
- You and others with you should always wear shooting glasses to protect your eyes. With the crossbow pointed down range, shoulder the crossbow, and place your hand on the stock with your fingers and thumb positioned on the fore grip, below the travel path of the string. (Fig. 16) Do not shoot at hard surfaces or at the surface of water. The arrow may bounce off or ricochet and hit someone or something you had not intended to hit.
- Always choose the target carefully.
- **THINK** about what you will hit if you miss the target.



FIGURE 16

#### 2 Sighting in The Crossbow

- The crossbow is equipped with a scope. Follow the instructions included with the scope for sighting and adjusting.

#### 3 Firing

- With the crossbow pointed in a SAFE DIRECTION and hands in the proper position release the safety by pushing the safety all the way forward (see section 4, Fig 11).
- Pull the trigger.



FIGURE 17







## SPECIFICATIONS

DRAW WEIGHT	220 lbs	TRIGGER	Patented Trigger Technology – Dry Fire Inhibitor
FPS	Up to 405	MASS WEIGHT	8.1 lbs
STOCK	Composite	LENGTH	33.2"
LIMB	Compression Fiberglass	WIDTH	14.75" Cocked /18.75 Uncocked
OPTICS	4x32 Illuminated	ARROW	20"–400 gr. with Half Moon Nock
RISER	Aluminum		

### LIMITED WARRANTY FOR CENTERPOINT CROSSBOWS

Your CenterPoint® crossbow is warranted to be free of defects in materials and workmanship for 5 years from the date of purchase. This warranty is not transferable and as such is limited to the original owner. This warranty does not cover damages due to fair wear and tear, failure to provide routine maintenance, and does not include cables, strings, or accessories. In the event of a defect under this warranty, CenterPoint Archery will, at our option, repair or replace the product provided our inspection indicates that an original defect exists. CenterPoint reserves the right to replace any product which is no longer available with a product of comparable value and function. If CenterPoint determines the repair is not covered under the warranty guidelines, there could be a charge to you for the repair. This is a limited warranty and does not cover damages caused by dry fire, misuse, improper handling, or installation or maintenance provided by someone other than a CenterPoint Authorized Service Station.

THIS LIMITED WARRANTY DOES NOT INCLUDE CONSEQUENTIAL DAMAGES, INCIDENTAL DAMAGES, OR INCIDENTAL EXPENSES, INCLUDING DAMAGE TO PROPERTY OR ANY OTHER EXPENSE. CENTERPOINT DISCLAIMS ANY IMPLIED WARRANTIES, INCLUDING THE IMPLIED WARRANTIES OF MERCHANTABILITY AND FITNESS. SOME STATES DO NOT ALLOW THE EXCLUSION OR LIMITATION OF INCIDENTAL OR CONSEQUENTIAL DAMAGES, OR ALLOW LIMITATIONS ON IMPLIED WARRANTIES SO THE ABOVE LIMITATIONS OR EXCLUSIONS MAY NOT APPLY TO YOU. TO THE EXTENT ANY PROVISION OF THIS WARRANTY IS PROHIBITED BY FEDERAL, STATE, OR MUNICIPAL LAW, WHICH CANNOT BE PREEMPTED, IT SHALL NOT BE APPLICABLE. THIS WARRANTY GIVES YOU SPECIFIC LEGAL RIGHTS, AND YOU MAY ALSO HAVE OTHER RIGHTS, WHICH VARY FROM STATE TO STATE AND COUNTRY TO COUNTRY.

### STOP – BEFORE YOU RETURN THIS PRODUCT TO THE STORE:

Contact our Customer Service representatives for help at (866) 726-1122 or through [centerpointarchery.com](http://centerpointarchery.com).

### WARRANTY CLAIMS / REPAIR SERVICE

If your product needs repair, DO NOT ATTEMPT TO DISASSEMBLE IT. Any disassembly or modification not performed by a CenterPoint Authorized Service Station will void the warranty.

**U.S. Customers:** Contact CenterPoint Customer Service through [centerpointarchery.com/contact/](http://centerpointarchery.com/contact/), or at the below mailing address. We'll let you know where and how to send in your CenterPoint product for repair or replacement under warranty, or refer you to an authorized service center.

#### CenterPoint Archery

Attn: Warranty Dept.  
3535 Tower Ave  
Superior, WI 54880

If instructed to ship your CenterPoint product for warranty repair or replacement, please include your product, a copy of your receipt, and a brief written description of the problem you've encountered. Be sure to also include your name, mailing address, email address, and telephone number inside the package.

We strongly recommend insuring your shipment and using a service that provides a tracking number. CenterPoint is not liable for any merchandise damaged, lost, or stolen during shipping to or from CenterPoint.

Please allow from 2 to 4 weeks for warranty repair or replacement.

**Canadian Customers:** For warranty service, please contact the Gravel Agency in Quebec at (866) 662-4869.

**Customers Outside of the U.S. or Canada:** For warranty service, please contact the dealer or distributor from whom you purchased your CenterPoint product. If you do not know or cannot contact your dealer or distributor, our International Department may be reached for assistance at (715) 718-3574 or through [centerpointarchery.com](http://centerpointarchery.com).



#### CenterPoint Archery

3535 Tower Ave.  
Superior, WI 54880  
United States of America  
1.866.726.1122  
[centerpointarchery.com](http://centerpointarchery.com)

Made in Taiwan

CENTERPOINT and the CENTERPOINT logo are trademarks of Crosman Corporation.

CenterPoint is a trademark of Crosman Corporation in the United States. © 2022 Crosman Corporation 02-22 OM

C0002-515



# TRADITION 405

BALLESTA COMPUESTA

| Manual del usuario |





## BIENVENIDO

Nos sentimos honrados de que haya seleccionado la Ballesta Compuesta Tradition 405. Sea esta ballesta un regalo para usted o una forma de ayudar a dar la bienvenida a los demás al modo de vida de los cazadores, confiamos en que dejará una impresión.

Para su seguridad:

### LEA TODO ESTE MANUAL DEL PROPIETARIO ANTES DE USAR SU BALLESTA COMPUESTA TRADITION 405.

Las ballestas –incluida la Tradition 405– están diseñadas para cazar y tirar al blanco. Si se usan de forma incorrecta o descuidada, pueden causarles heridas o la muerte a usted y a los que le rodean. Queremos que haga su mejor disparo y sólo su mejor disparo. ¡SEA CUIDADOSO—DISPARE CON SEGURIDAD!

Si esta es su primera ballesta de CenterPoint, quizás le convenga alguna orientación adicional antes del primer amartillado, carga o disparo de su Tradition 405. Si tiene alguna pregunta o inquietud sobre este producto, su montaje adecuado o uso seguro, no dude en ponerse en contacto con nosotros a través de [centerpointarchery.com/contact-support](http://centerpointarchery.com/contact-support). Nuestros expertos en servicio al cliente están disponibles de lunes a viernes, de 8 AM a 5 PM CST y estamos encantados de ayudarle.

## BIENVENIDO A LA FAMILIA CENTERPOINT

Usted nació para esto.

**⚠️ ADVERTENCIA:** SE RECOMIENDA ÚNICAMENTE PARA USO DE ADULTOS. EL USO INCORRECTO O DESCUIDADO PUEDE CAUSAR LESIONES GRAVES O LA MUERTE. LEA TODAS LAS INSTRUCCIONES ANTES DE USARLA. CONSERVE LAS INSTRUCCIONES Y EL MANUAL DE SEGURIDAD PARA CONSULTARLOS MÁS ADELANTE.

**⚠️ ADVERTENCIA:** CUANDO AMARTILLE UNA BALLESTA, MANTENGA SIEMPRE LAS MANOS, LOS DEDOS Y LOS PULGARES FUERA DE LA TRAYECTORIA DE RECORRIDO DE LA CUERDA DEL ARCO Y LOS CABLES, Y POR DEBAJO DEL RIEL.

**⚠️ ADVERTENCIA:** EL COMPRADOR Y EL USUARIO TIENEN EL DEBER DE OBEDEGER TODAS LAS LEYES ACERCA DEL USO Y PROPIEDAD DE ESTA BALLESTA.

**⚠️ ADVERTENCIA:** ESTE PRODUCTO PUEDE EXPONERLE A SUSTANCIAS QUÍMICAS, ENTRE ELLAS EL PLOMO, QUE EL ESTADO DE CALIFORNIA HA DETERMINADO QUE OCASIONAN CÁNCER Y DEFECTOS CONGÉNITOS U OTROS DAÑOS REPRODUCTIVOS. PARA OBTENER MÁS INFORMACIÓN, VAYA A [WWW.P65WARNINGS.CA.GOV](http://WWW.P65WARNINGS.CA.GOV).

## Sección 1: Seguro

No deje de leer esta página. Las siguientes reglas son esenciales para el uso y mantenimiento seguros de la ballesta.

- Trate SIEMPRE a la ballesta como si estuviera cargada y lista para disparar.
- Trate SIEMPRE a la ballesta con el mismo respeto que le tendría a un arma de fuego.
- Guarde SIEMPRE la ballesta descargada y lejos de los niños.
- Asegúrese SIEMPRE de que esta ballesta esté descargada y que su interruptor del seguro esté ajustado en SAFE (seguro activado) antes de transferirla hacia o desde otra persona, o sacarla del almacenamiento.
- Mantenga SIEMPRE el interruptor del seguro de esta ballesta en SAFE (seguro activado) hasta que esté listo para disparar.
- Asegúrese SIEMPRE de su blanco y lo que está potencialmente detrás de su blanco.
- Compruebe SIEMPRE el desgaste de su respaldo de arquería antes y después de cada uso. Todos los respaldos de blancos están sujetos a desgaste y con el tiempo fallarán. Reemplace el respaldo de su blanco si la superficie está desgastada o dañada.
- Antes de disparar, revise SIEMPRE la ballesta minuciosamente en busca de piezas desgastadas, dañadas, sueltas o faltantes.
- Antes de disparar, revise SIEMPRE cuidadosamente su dispositivo de amartillado de sogas, en busca de piezas desgastadas, dañadas, sueltas o faltantes.
- Inspeccione SIEMPRE sus flechas con regularidad. Disparar una flecha dañada puede causarles lesiones graves a usted o a las personas cercanas. Cualquier flecha mellada, abollada, partida o astillada debe desecharse inmediatamente.
- Mantenga SIEMPRE las manos, los dedos y los pulgares fuera de la trayectoria de recorrido de la cuerda del arco y los cables, y por debajo del riel cuando se amartille una ballesta.
- Antes de disparar, asegúrese SIEMPRE de que las palas de la ballesta no puedan golpear a ningún obstáculo. Disparar permitirá que las palas se descompriman con una fuerza drástica. Si hacerlo provoca que las palas de la ballesta golpeen un obstáculo, la ballesta y el obstáculo pueden sufrir daños significativos.
- Use SIEMPRE gafas de seguridad cuando utilice cualquier tipo de arco.
- NUNCA utilice esta ballesta con un blanco que no esté diseñado para su uso con una ballesta. Las flechas disparadas desde esta ballesta pueden penetrar fácilmente blancos inferiores y respaldos desgastados.
- NUNCA amartille ni cargue la ballesta sino hasta que esté listo para disparar.
- NUNCA apunte la ballesta a ninguna persona o cosa a las que no tenga intención de dispararles.
- NUNCA confíe en el seguro automático de esta ballesta o en cualquier otro dispositivo mecánico como reemplazo para las prácticas de manipulación segura.
- NUNCA coloque el dedo en el gatillo o dentro del guardamonte sino hasta que esté listo para disparar.
- NUNCA dispare la ballesta en seco. Disparar sin una flecha dañará su ballesta y podría herirle.
- NUNCA dispare una flecha, dardo o proyectil con esta ballesta excepto los recomendados por CenterPoint para su uso con la ballesta compuesta Tradition 405. Disparar proyectiles no recomendados podría dar como resultado lesiones o que se dañe la ballesta. En una ballesta compuesta Tradition 405, cargue ÚNICAMENTE flechas de 20" con culatín de media luna y con un peso acabado de 400 granos o más.
- NUNCA amartille su ballesta más allá de su golpe de potencia máximo o puede dañar sus palas, los cables o la cuerda de arco.
- NUNCA use la mano, el amartillador de cuerda o el dispositivo tensor de manivela aprobado para desamartillar esta ballesta, ya que puede causarles lesiones graves a usted o dañar la ballesta.
- NUNCA intente desmontar o manipular esta ballesta, ya que se requieren herramientas especiales. Póngase en comunicación con una tienda de arquería para obtener ayuda. Intentar modificar esta ballesta de cualquier manera que no esté descrita en este Manual del Propietario puede hacer que sea insegura y anulará la garantía.

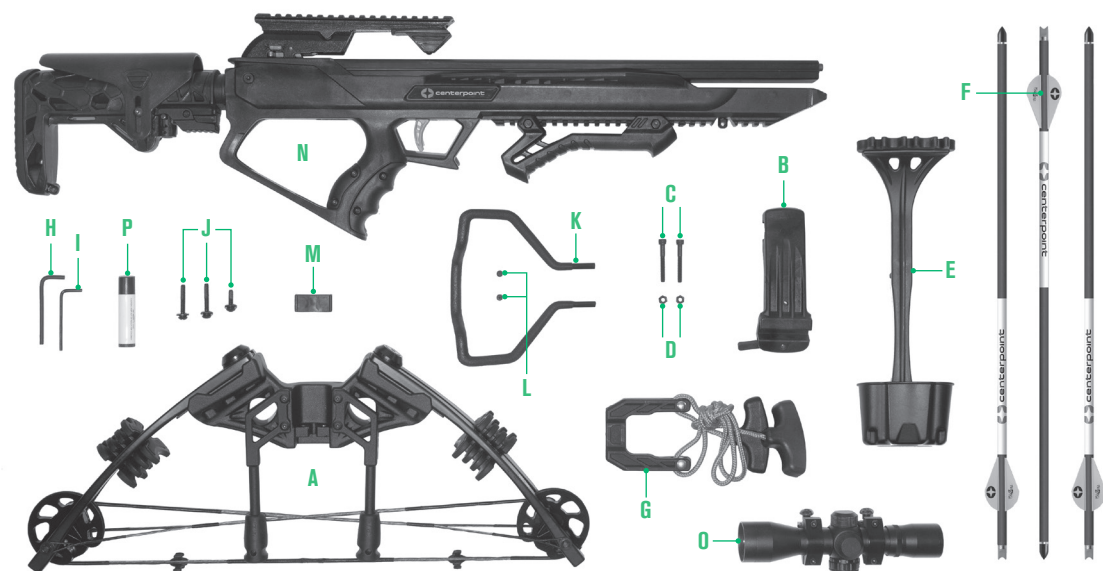


## Sección 2: Conozca la Tradition 405

### LISTA DE PIEZAS

Compruebe que todas las piezas estén presentes antes de intentar el ensamblado.

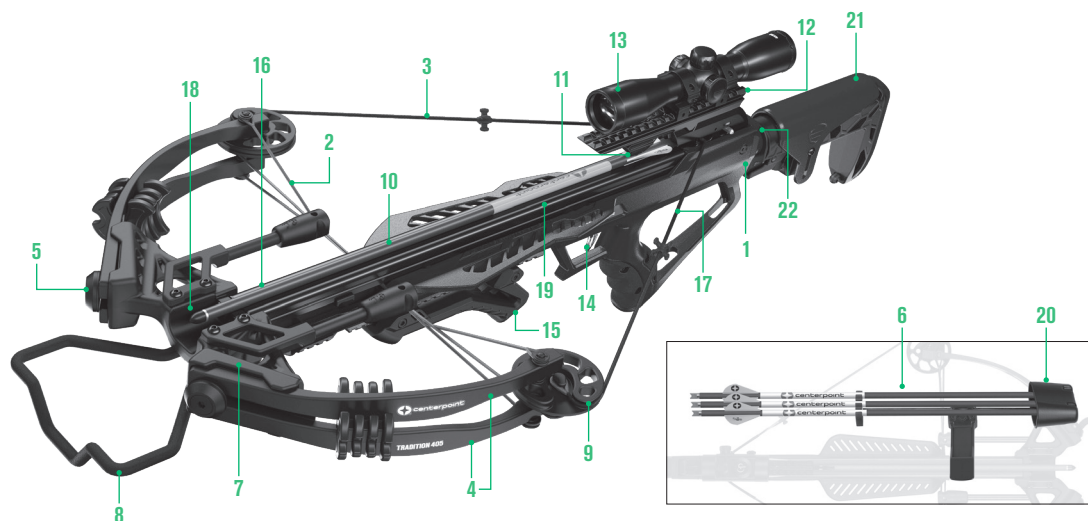
- |  |  |  |  |
|--|--|--|--|
| <b>A.</b> Mango (con cuerdas y cables)           | <b>E.</b> Carcaj                               | <b>I.</b> Llave hexagonal pequeña de ensamblado        | <b>M.</b> Deslizador de cable                            |
| <b>B.</b> Abrazadera de montaje de la aljaba     | <b>F.</b> Flechas de carbono de 20" (3)        | <b>J.</b> Tornillos de la pala/Roldanas de bloqueo (3) | <b>N.</b> Cuerpo principal de la ballesta (culata/cañón) |
| <b>C.</b> Tornillos de la montura del carcaj (2) | <b>G.</b> Amartillador de cuerda               | <b>K.</b> Estribo de pie                               | <b>O.</b> Mira iluminada 4x32 y anillos                  |
| <b>D.</b> Tornillos del carcaj (2)               | <b>H.</b> Llave hexagonal grande de ensamblado | <b>L.</b> Tornillos del estribo (2)                    | <b>P.</b> Lubricante de carriles                         |



### LAS PARTES DE UNA BALLESTA TRADITION 405

Familiarizarse con la terminología utilizada para describir las partes de una ballesta le ayudará durante el ensamblado. Este esquema muestra una ballesta compuesta Tradition 405 completamente montada, amartillada y cargada.

- |                                |  |                                      |                                |
|--------------------------------|--|--------------------------------------|--------------------------------|
| <b>1.</b> Culata               | <b>7.</b> Bolsillo de la pala                          | <b>13.</b> Mira                      | <b>18.</b> Mango del arco      |
| <b>2.</b> Cables               | <b>8.</b> Estribo de pie                               | <b>14.</b> Gatillo                   | <b>19.</b> Carril              |
| <b>3.</b> Cadena               | <b>9.</b> Leva   | <b>15.</b> Empuñadura del guardamano | <b>20.</b> Carcaj              |
| <b>4.</b> Pala abierta         | <b>10.</b> Riel  | <b>16.</b> Ranura de vuelo           | <b>21.</b> Cantonera           |
| <b>5.</b> Tornillos de la pala | <b>11.</b> Muelle de retención del rodamiento de bolas | <b>17.</b> Forro                     | <b>22.</b> Ranura de la cuerda |
| <b>6.</b> Flechas              | <b>12.</b> Puente de mira                              |                                      |                                |



## Sección 3: Montaje de su Tradition 405

Visite [centerpointarchery.com/tradition-405#dm](http://centerpointarchery.com/tradition-405#dm) para encontrar un video útil que le guiará a través del ensamblado de la Tradition 405, paso a paso.

Le llevará unos 30 minutos montar correctamente su ballesta compuesta Tradition 405. Más allá de los materiales y herramientas suministrados, también necesitará un destornillador de cabeza plana. Siga en orden los pasos que aparecen a continuación:

### 1 Instalación de las palas

**1a** Conecte la corredera del cable (M) a los cables de modo que éstos se crucen del lado izquierdo de la empuñadura. (Fig. 3)

**1b** Deslice el cable en la abertura al extremo del cañón mientras desliza la cuerda hacia abajo por la parte superior del carril. (Fig. 4)

**1c** Deslice el mango (Fig. 2 N° 18) en el cañón. Instale y apriete los tornillos de las palas (3) (Fig. 5), con la llave hexagonal pequeña.

### 2 Introducir el estribo

**2a** Fije el estribo en el mango con los 2 tornillos (L) del estribo empleando la llave hexagonal pequeña. (Fig. 6)

**NOTA:** Asegúrese de que el perno del mango y el conjunto del mango estén firmemente fijados al cañón de la ballesta antes de usar ésta. Es posible que tengan que volver a apretarse los pernos de montaje periódicamente después del uso.

### 3 Ensamblado del carcaj

**3a** Atornille la montura del carcaj en éste con los tornillos correspondientes empleando un destornillador (no incluido). (Fig. 7)

**3b** Fije el soporte de montaje de carcaj paralelo en el riel picatinny inferior. (Fig. 8).

### 4 Montar el carcaj en el conjunto del mango

**4a** Conecte la montura del carcaj A a la montura del carcaj B deslizando ambas juntas y bloqueándolas en su lugar con la palanca de bloqueo.

**4b** Asegúrese de que el carcaj esté bloqueado y fijo.

### 5 Instalar la mira

**5a** Instale los anillos de montaje de la mira usando los tornillos correspondientes (4)

**5b** Posicione la mira moviéndola hacia adelante o hacia atrás hasta encontrar el espacio adecuado para el ojo. Esto son habitualmente tres o cuatro pulgadas del ojo al ocular cuando sostiene la ballesta en posición de tiro.

**5c** Alinee la montura de la mira con las ranuras del riel del puente de la mira. (Fig. 9)

**5d** Alinee los tornillos con las ranuras del riel y apriete las cabezas de los tornillos con un destornillador (no incluido).

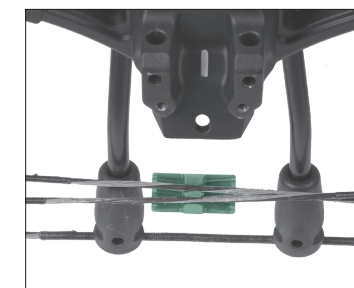


FIGURA 3

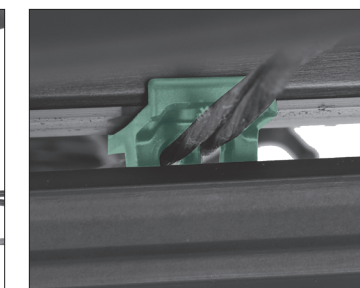


FIGURA 4

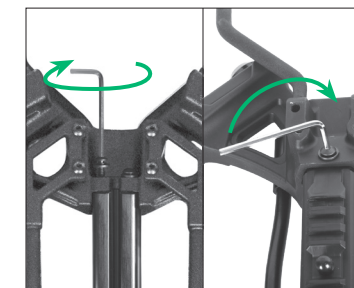


FIGURA 5

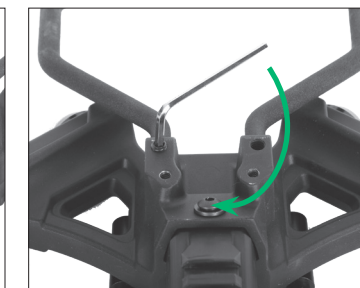


FIGURA 6

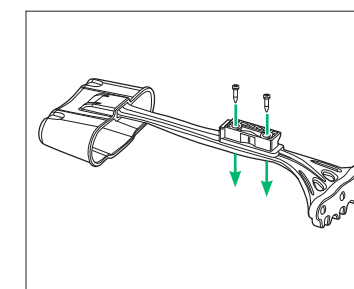


FIGURA 7

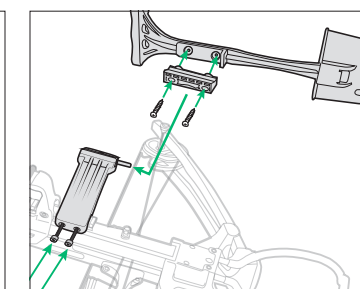


FIGURA 8



FIGURA 9



## Sección 4: Accionamiento Del Seguro

**PRECAUCIÓN:** COMO TODOS LOS DISPOSITIVOS MECÁNICOS, EL SEGURO DE UNA BALLESTA PUEDE FALLAR. INCLUSO CON EL SEGURO PUESTO ("ON SAFE"), DEBE SEGUIR MANIPULANDO LA BALLESTA DE MODO SEGURO.

**NOTA:** El seguro se activa automáticamente y el interruptor del seguro se mueve a la posición de seguro ("ON SAFE") cuando la ballesta está amartillada de manera normal (ver sección 6. AMARTILLAR LA BALLESTA).

### 1 PARA PONER EL SEGURO DE LA BALLESTA ("SAFE")

**1a** Asegúrese de que la ballesta esté apuntada en una DIRECCIÓN SEGURA.

**1b** Deslice el interruptor del seguro de la posición de Fuego ("FIRE") a la posición de seguro ("ON SAFE"). (Fig. 10)

**1c** La ballesta tiene el seguro activado ("ON SAFE") cuando el interruptor de seguridad está desplazado completamente hacia atrás junto al punto verde.

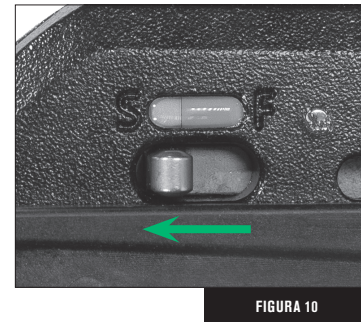


FIGURA 10

### 2 PARA PONER LA BALLESTA EN POSICIÓN DE FUEGO ("FIRE")

**2a** Asegúrese de que la ballesta esté apuntada en una DIRECCIÓN SEGURA.

**2b** Encuentre el interruptor del seguro a un lado de la culata

**2c** Deslice el interruptor de seguridad hacia adelante a la posición de Fuego ("FIRE"). (Fig. 11)



FIGURA 11

**2d** La ballesta tiene el seguro desactivado ("OFF SAFE") cuando el interruptor de seguridad está desplazado completamente hacia adelante junto al punto rojo ("FIRE"). **IMPORTANTE:** Después de que la ballesta está amartillada, el usuario SÓLO debe mover el interruptor de seguridad de la posición de seguro ("ON SAFE") a la posición de fuego ("FIRE") si hay una flecha o saeta cargadas.

## Section 5: Uso de su Tradition 405

**ADVERTENCIA:** SU BALLESTA FUNCIONA MEJOR CUANDO SE UTILIZA EL DISPOSITIVO DE AMARTILLADO CON CABLE DISEÑADO PARA ELLA. EL USO DE OTROS DISPOSITIVOS DE AMARTILLADO CON CABLES QUE TENGAN LONGITUDES Y CONFIGURACIÓN DE GANCHOS DIFERENTES PUEDE NO SER SEGURA PARA EL USUARIO Y DAÑAR SU BALLESTA.

- NO amartille ni cargue la ballesta a menos que esté en una zona segura y en posición de disparar con seguridad.
- Asegúrese de aplicar el lubricante de rieles en el riel de vuelo antes de amartillar.

**NOTA:** Para amartillar la ballesta, el seguro debe estar en posición de activado ("fire"). Al amartillar la ballesta, el seguro se enganchará en posición de activado ("on safe").

### 3 AMARTILLAR LA BALLESTA

**3a** Coloque el seguro en posición de desactivado ("FIRE"). La ballesta no se amartillará si el seguro está en la posición de activado ("SAFE"). Apriete el gatillo para verificar que está listo para aceptar la cuerda. Si el gatillo no se mueve, el seguro está puesto ("SAFE") y la ballesta no se puede amartillar.

**3b** Coloque el estribo de amartillado en el suelo y ponga un pie firmemente en su interior.

**3c** Coloque el centro de la cuerda de amartillado en la ranura de la cuerda. (Fig. 12 N° 22)

**3d** Coloque el trineo de amartillado en la cuerda de la ballesta cuidando que dicha cuerda esté totalmente asentada en el trineo, luego tire con fuerza uniforme. (Fig. 12)

**3e** Tire simultáneamente de ambos mangos en T, atrayendo suavemente la cuerda de la ballesta abajo del muelle de retención de la flecha y hacia la apertura de la cuerda del mecanismo del gatillo. (La tensión conservará los trineo de amartillado contra el riel si se hace correctamente. (Fig. 13)

**3f** Siga tirando hasta que el seguro del gatillo se mueva a la posición "SAFE". (Fig. 10)

**3g** Relaje la tensión ligeramente para garantizar que el pestillo del gatillo ha capturado completamente la cuerda de la ballesta. **NOTA:** La cuerda principal debe hacer clic en su lugar y el seguro debe engancharse automáticamente. Si la cuerda ha sido capturada por el pestillo del gatillo, suéltela.

**3h** Una vez amartillada, quite los trineo de amartillado de la cuerda de la ballesta.

**3i** La ballesta está ahora amartillada y lista para cargar una flecha.

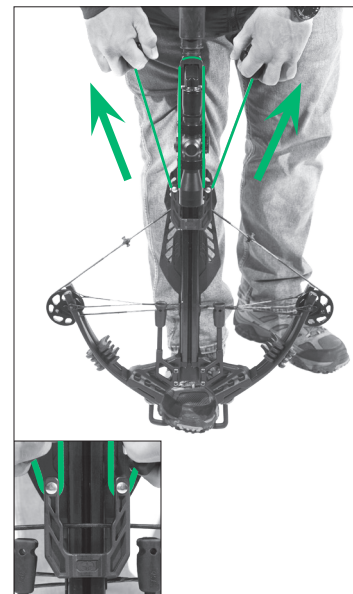


FIGURA 12

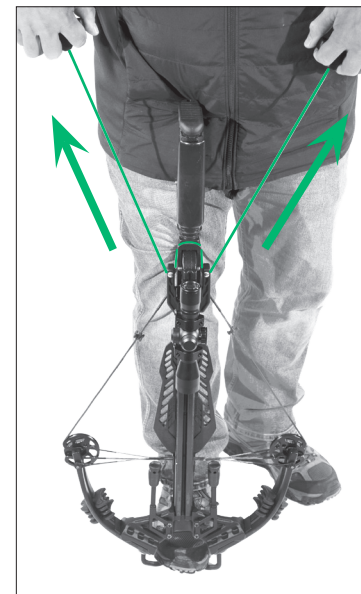


FIGURA 13

## Sección 5: Uso de su Tradition 405 (continuación)

**ADVERTENCIA:** NO USE LA MANO O EL AMARTILLADOR DE CUERDA PARA DESAMARTILLAR LA BALLESTA, YA QUE PUEDE CAUSAR LESIONES GRAVES AL USUARIO O DAÑOS A LA BALLESTA.

### 4 CARGA DE LA BALLESTA

**4a** Asegúrese de que el seguro de la ballesta esté en la posición activada ("SAFE").

**4b** Apunte la ballesta en una DIRECCIÓN SEGURA.

**4c** Asegúrese de usar sólo flechas que sean del tamaño y peso recomendados. (Vea la tabla de especificaciones para obtener información sobre las flechas o saetas).

**4d** Coloque la flecha de modo tal que la pluma remera (la de color distinto) quede abajo en la ranura de vuelo (Fig. 14).

**4e** Deslice la flecha hacia atrás hacia el conjunto del gatillo, debajo del muelle de retención de la flecha, hasta que el culatín de la flecha y culatín de media luna descansen completamente en la cuerda.

**4f** Después de seguir estos pasos y leer todo el manual, incluida la sección sobre revisión de los procedimientos de seguridad, su ballesta está ahora cargada y lista para disparar.



FIGURA 14

**ADVERTENCIA:** MANTENGA LA BALLESTA CON EL SEGURO EN POSICIÓN DE ACTIVADO ("SAFE") HASTA QUE ESTÉ EFECTIVAMENTE LISTO PARA DISPARAR. ENTONCES EMPUJE EL SEGURO HACIA ADELANTE A LA POSICIÓN DE FUEGO ("FIRE").

### 5 PARA AJUSTAR EL MUELLE DE RETENCIÓN DE LA SAETA

- Si el muelle de retención se afloja o se daña, puede reemplazarse.

#### 1 Para reemplazar el muelle de retención

**1a** Quite los dos tornillos de la parte superior del riel picatinny. (Fig. 15 C)

**1b** Retire el riel picatinny de la ballesta y gírelo.

**1c** Quite los dos tornillos de la parte inferior del riel picatinny que sujetan en su sitio el resorte de retención (Fig. 15 B).

**1d** Reemplace con un resorte de retención nuevo y vuelva a apretar los dos tornillos.

**1e** Monte el riel picatinny de nuevo sobre el paquete del gatillo y vuelva a apretar los dos tornillos de la parte superior.

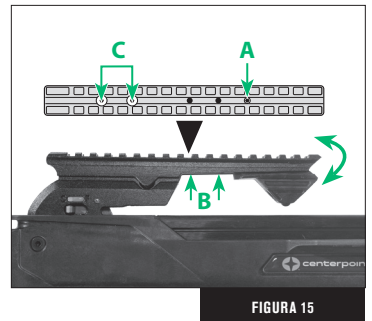


FIGURA 15

**ADVERTENCIA:** MANTENGA LOS DEDOS POR DEBAJO DE LA RUTA DEL RECORRIDO DE LA CUERDA Y LOS CABLES DEL ARCO. NO HACERLO PUEDE DAR COMO RESULTADO LESIONES GRAVES.

### 6 APUNTAR Y DISPARAR CON SEGURIDAD

#### 1 Apuntar la ballesta

- Siempre apunte la ballesta en una DIRECCIÓN SEGURA.

- Mantenga siempre los dedos por debajo de la ruta del recorrido de la cuerda del arco. (Fig. 16)

- Usted y los demás que estén con usted deben usar siempre anteojos para disparar con objeto de protegerse los ojos. Con la ballesta apuntada hacia el campo de tiro, colóquesela en el hombro y ponga la mano en la culata con los dedos colocados en la empuñadura delantera, debajo de la ruta del recorrido de la cuerda. (Fig. 16) • No dispare contra superficies duras o a la superficie del agua. La flecha pueden rebotar y golpear a alguien o algo a los que usted no tuviera intención de dispararles.

- Siempre elija cuidadosamente su blanco.

- **PIENSE** sobre lo que puede golpear si falla el blanco. Fig. 16.

#### 2 Puesta a tiro de la ballesta

- La ballesta está equipada con una mira. Siga las instrucciones incluidas en la mira para ponerla a tiro y ajustarla.

#### 3 Disparo

- Con la ballesta apuntada en una DIRECCIÓN SEGURA y las manos en la posición correcta, libere el seguro empujándolo completamente hacia adelante (vea la sección 5B).

- Tire del gatillo.



FIGURA 16



FIGURA 17







## ESPECIFICACIONES

PESO DE TENSIÓN	220 lb	GATILLO	Tecnología patentada de gatillo – Inhibidor de disparo en seco
FPS	Hasta 405	PESO EN MASA	8,1 lb
CULATA	Composite	LONGITUD	33,2"
PALA	Fibra de vidrio de compresión	ANCHURA	14,75 in amartillado /18,75 in desamartillado
ÓPTICA	Mira iluminada de 4x32 mm	FLECHA	20"–400 g con culatín de media luna
MANGO DEL ARCO	Aluminio		

### GARANTÍA LIMITADA PARA LAS BALLESTAS CENTERPOINT

Su ballesta CenterPoint® está garantizada contra defectos de materiales y mano de obra durante 5 años desde la fecha de la compra. Esta garantía no es transferible y como tal está limitada al comprador original. Esta garantía no cubre daños debidos al desgaste normal o a no hacer el mantenimiento de rutina, y no incluye cuerdas, cables o accesorios. En caso de un defecto de conformidad con esta garantía, a nuestra elección repararemos o reemplazaremos el producto siempre que nuestra inspección indique que existe un defecto original. CenterPoint se reserva el derecho de reemplazar cualquier producto que ya no esté disponible con un producto de valor y función comparables. Si CenterPoint determina que la reparación no está cubierta por las directrices de la garantía, podría haber un cargo para usted por la reparación. Ésta es una garantía limitada y no cubre los daños causados por disparos en seco, mal uso o manejo inadecuado, o una instalación o mantenimiento indebidos proporcionados por alguien que no sea una estación de servicio autorizada de CenterPoint.

ESTA GARANTÍA LIMITADA NO INCLUYE DAÑOS Y PERJUICIOS CONSECUENCIALES O INCIDENTALES, O GASTOS INCIDENTALES, INCLUIDOS LOS DAÑOS Y PERJUICIOS MATERIALES O CUALQUIER OTRO GASTO. CENTERPOINT DESCONOCE CUALQUIER GARANTÍA IMPLÍCITA, INCLUIDAS LAS GARANTÍAS IMPLÍCITAS DE COMERCIABILIDAD E IDONEIDAD. ALGUNOS ESTADOS NO PERMITEN LA EXCLUSIÓN O LIMITACIÓN DE DAÑOS INCIDENTALES O CONSECUENCIALES, O NO PERMITEN LIMITACIONES SOBRE LAS GARANTÍAS IMPLÍCITAS, DE MODO QUE LAS LIMITACIONES O EXCLUSIONES ARRIBA INDICADAS PODRÍAN NO APLICARSE A USTED. EN LA MEDIDA EN QUE CUALQUIER DISPOSICIÓN DE ESTA GARANTÍA ESTÉ PROHIBIDA POR LAS LEYES FEDERALES, ESTATALES O MUNICIPALES, QUE NO PUEDAN EVITARSE, NO SERÁ APLICABLE. ESTA GARANTÍA LE OTORGA DERECHOS LEGALES CONCRETOS Y ES POSIBLE QUE TENGA TAMBIÉN OTROS DERECHOS QUE VARIAN SEGÚN EL ESTADO Y EL PAÍS.

### ALTO – ANTES DE DEVOLVER ESTE PRODUCTO A LA TIENDA:

Póngase en comunicación con nuestros representantes de Servicio al Cliente para obtener ayuda al (866) 726-1122 o a través de [centerpointarchery.com](http://centerpointarchery.com).

### RECLAMACIONES DE GARANTÍA Y SERVICIO DE REPARACIONES

Si su producto necesita una reparación, ¡NO INTENTE DESMONTARLO! Cualquier desmontaje o modificación no realizados por una estación de servicio autorizada de CenterPoint anularán la garantía.

**Clientes de los EE.UU.:** Comuníquese con servicio al cliente de CenterPoint a través de [centerpointarchery.com/contact](http://centerpointarchery.com/contact) o en la dirección postal abajo indicada. Le diremos dónde y cómo enviar su producto de CenterPoint para su reparación o reemplazo bajo la garantía, o se le remitirá a un centro de servicio autorizado.

#### CenterPoint Archery

Atn: Depto. de Garantía  
3535 Tower Ave  
Superior, WI 54880

Si se le indica que envíe su producto CenterPoint para reparación o reemplazo de acuerdo con la garantía, incluya su producto, una copia de su recibo y una breve descripción por escrito del problema que ha encontrado. Asegúrese de indicar también su nombre, dirección postal, dirección de correo electrónico y número de teléfono dentro del paquete.

Recomendamos encarecidamente que asegure su envío y que utilice un servicio que proporcione un número de seguimiento. CenterPoint no es responsable de ninguna mercancía dañada, perdida o robada durante el transporte desde o hacia CenterPoint.

Espera de 2 a 4 semanas para la reparación o reemplazo de conformidad con la garantía.

**Clientes canadienses:** Para obtener servicio por garantía, comuníquese con la Gravel Agency en Quebec al (866) 662-4869.

**Clientes fuera de los EE. UU. o Canadá:** Para obtener servicio por garantía, póngase en comunicación con el concesionario o distribuidor al que compró su producto CenterPoint. Si no sabe quién es su concesionario o distribuidor, o no puede ponerse en contacto con él o ella, se puede comunicar con nuestro Departamento Internacional para obtener ayuda al (715) 718-3574 o a través de [centerpointarchery.com](http://centerpointarchery.com).



#### CenterPoint Archery

3535 Tower Ave.  
Superior, WI 54880  
Estados Unidos de América  
1.866.726.1122  
[centerpointarchery.com](http://centerpointarchery.com)

Hecho en Taiwán

CENTERPOINT y el logo de CENTERPOINT son marcas comerciales de Crosman Corporation.

CenterPoint es una marca comercial de Crosman Corporation en los Estados Unidos. © 2022 Crosman Corporación 02-22 0M

C0002-515



# TRADITION 405

ARBALÈTE À POULIES

| Manuel d'utilisation |





## BIENVENUE

Votre choix de l'Arbalète à poulies Tradition 405 nous honore. Que cette arbalète soit un cadeau pour vous-même ou un moyen d'initier d'autres personnes à la vie du chasseur, nous ne doutons pas qu'elle fasse bonne impression.

Pour votre sécurité :

### VEUILLEZ LIRE LE PRÉSENT MANUEL D'UTILISATION AU COMPLET AVANT D'UTILISER VOTRE ARBALÈTE À POULIES TRADITION 405.

Les arbalètes, y compris Tradition 405, sont destinées à la chasse et au tir à la cible. Une utilisation incorrecte ou imprudente peut blesser ou tuer l'utilisateur et les gens qui l'entourent. Nous voulons que vous ne fassiez rien de moins que votre meilleur tir. SOYEZ PRUDENT : TIREZ AVEC PRUDENCE !

Si c'est votre première arbalète CenterPoint, des conseils supplémentaires peuvent s'avérer bienvenus avant le premier armement, chargement ou tir de votre Tradition 405. Si vous avez des questions ou des préoccupations au sujet de ce produit, de son bon assemblage ou de son utilisation sécuritaire, n'hésitez pas à nous contacter à partir de l'adresse [centerpointarchery.com/contact-support](http://centerpointarchery.com/contact-support). Nos experts du service à la clientèle sont ravis de vous aider du lundi au vendredi, de 8 h à 15 (HNC).

## BIENVENUE DANS LA FAMILLE CENTERPOINT.

Vous êtes né pour ça.

**⚠ AVERTISSEMENT** : USAGE RECOMMANDÉ UNIQUEMENT POUR LES ADULTES. UNE UTILISATION INCORRECTE OU NÉGLIGENTE PEUT PROVOQUER DES BLESSURES GRAVES VOIRE LA MORT. LIRE TOUTES LES INSTRUCTIONS AVANT D'UTILISER CET ARC. CONSERVER LES INSTRUCTIONS ET LE MANUEL DE SÉCURITÉ POUR RÉFÉRENCE ULTÉRIEURE.

**⚠ AVERTISSEMENT** : TOUJOURS GARDER LES MAINS, LES DOIGTS ET LES POUCES À L'ÉCART DE LA TRAJECTOIRE DE LA CORDE D'ARC ET DES CÂBLES ET SOUS LE RAIL QUAND UNE ARBALÈTE EST ARMÉE.

**⚠ AVERTISSEMENT** : L'ACHETEUR ET L'UTILISATEUR SONT TENUS DE SE CONFORMER À TOUTES LES LOIS RELATIVES À L'UTILISATION ET À LA PROPRIÉTÉ DE CETTE ARBALÈTE.

**⚠ AVERTISSEMENT** : CE PRODUIT PEUT VOUS EXPOSER À DES PRODUITS CHIMIQUES, Y COMPRIS DU PLOMB, QUI EST RECONNU PAR L'ÉTAT DE CALIFORNIE COMME PROVOQUANT LE CANCER, DES ANOMALIES CONGÉNITALES OU D'AUTRES EFFETS NOCIFS SUR LA REPRODUCTION. POUR DE PLUS AMPLES RENSEIGNEMENTS, CONSULTER LE [WWW.P65WARNINGS.CA.GOV](http://WWW.P65WARNINGS.CA.GOV).

## Section 1 : Sécurité

S'il vous plaît, n'ignorez pas cette page. Les règles qui suivent sont essentielles à une utilisation et un entretien sécuritaires de l'arbalète.

- TOUJOURS manipuler cette arbalète comme si elle était chargée et prête à tirer.
- TOUJOURS manipuler cette arbalète avec autant de précautions que vous le feriez pour une arme à feu.
- TOUJOURS ranger cette arbalète déchargée et hors de portée des enfants.
- TOUJOURS s'assurer que cette arbalète est déchargée et que son cran de sûreté est ENCLENCHÉ avant de la transférer d'une personne à une autre ou de la retirer de l'entreposage.
- TOUJOURS laisser le cran de sûreté de cette arbalète ENCLENCHÉ jusqu'à ce que vous soyez prêt à tirer.
- TOUJOURS être conscient de sa cible et de ce qui peut se trouver derrière elle.
- TOUJOURS vérifier l'état d'usure de la butte de tir de votre cible avant et après le tir. Toutes les buttes de tir s'usent avec le temps et finissent par ne plus fonctionner. Remplacez la butte de tir de votre cible quand sa surface est usée ou endommagée.
- TOUJOURS vérifier l'arbalète pour y déceler des pièces usées, endommagées, desserrées ou manquantes avant de tirer.
- TOUJOURS vérifier le dispositif d'armement de la corde pour y déceler des pièces sées, abîmées, desserrées ou manquantes avant l'utilisation.
- TOUJOURS inspecter régulièrement l'état de vos flèches. Le tir d'une flèche endommagée peut causer de graves blessures à vous-même et à ceux qui vous entourent. Toute flèche entaillée, bosselée, fendue ou fragmentée doit être éliminée immédiatement.
- TOUJOURS garder les mains, les doigts et les pouces à l'écart de la trajectoire de la corde et des câbles et sous le rail quand une arbalète est armée.
- TOUJOURS s'assurer que les branches de l'arbalète sont exemptes de tout obstacle avant de tirer. Le tir relâche les branches avec une énorme force. Si les branches venaient à heurter un obstacle, l'arbalète et l'obstacle pourraient subir de graves dommages.
- TOUJOURS porter des lunettes de protection lors de l'utilisation de tout type d'arc.
- NE JAMAIS utiliser cette arbalète avec une cible qui n'est pas conçue pour une utilisation avec arbalète. Les flèches tirées par cette arbalète peuvent pénétrer facilement des cibles de qualité inférieure et des buttes de tir usées.
- NE JAMAIS armer ou charger cette arbalète avant d'être prêt à tirer.
- NE JAMAIS pointer cette arbalète en direction de quelqu'un ou de quelque chose que vous n'avez pas l'intention d'atteindre.
- NE JAMAIS substituer la sûreté automatique de cette arbalète ni aucun autre dispositif mécanique à des pratiques de maniement sécuritaire.
- NE JAMAIS mettre le doigt sur la détente ou dans le pontet avant d'être prêt à tirer.
- NE JAMAIS tirer à vide avec cette arbalète. Le tir avec votre arbalète sans d'abord y encocher une flèche endommage votre arbalète et peut vous blesser.
- NE JAMAIS tirer de flèches, de carreaux ou de projectiles qui ne sont pas recommandés par CenterPoint pour une utilisation avec cette Arbalète à poulies Tradition 405. Le tir de projectiles non recommandés peut entraîner des blessures ou des dommages à l'arbalète. Chargez dans l'Arbalète à poulies Tradition 405 UNIQUEMENT des flèches de 20 pouces dotées d'une encoche demi-lune dont le poids à l'état fini est de 400 grains ou plus.
- NE JAMAIS armer l'arbalète au-delà de sa course de puissance maximale, ce qui pourrait endommager les branches, les câbles ou la corde d'arc.
- NE JAMAIS utiliser la main, la corde d'armement ou un dispositif d'armement approuvé pour désarmer l'arbalète étant donné que cela peut provoquer des blessures graves à l'utilisateur ou endommager l'arbalète.
- NE JAMAIS tenter de démonter ou de modifier cette arbalète, car des outils spéciaux sont nécessaires. Pour obtenir de l'aide, veuillez contacter une boutique spécialisée en produits de tir à l'arc. Une tentative de modification de cette arbalète d'une manière qui n'est pas décrite dans le présent manuel d'utilisation peut rendre cette arbalète dangereuse, et elle annulera la garantie.

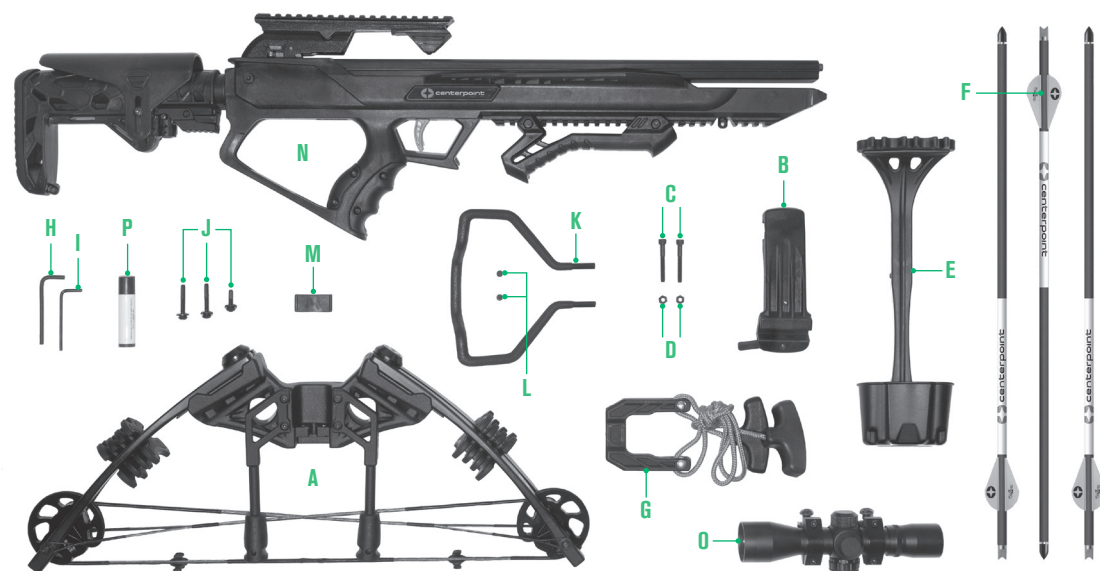


## Section 2 : Présentation de Tradition 405

### LISTE DE PIÈCES

Veillez consulter cette liste pour vous assurer que toutes les pièces sont présentes avant de procéder à l'assemblage.

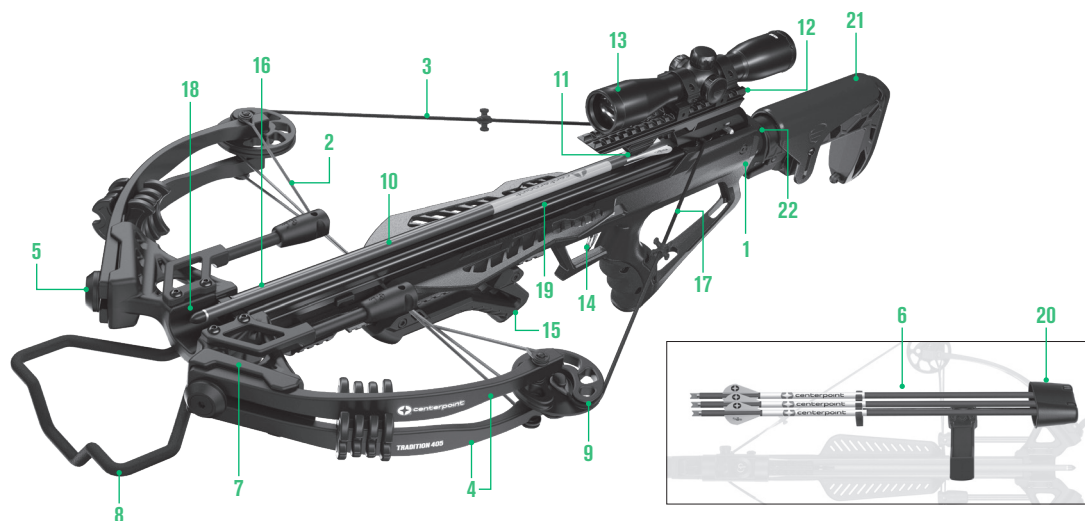
- |  |  |  |  |
|--|--|--|--|
| <b>A.</b> Riser (avec cordes/câbles)     | <b>F.</b> Flèches en carbone de 50,8 cm (3)                                  | <b>I.</b> Petite clé Allen d'assemblage              | <b>M.</b> Glissière des câbles                       |
| <b>B.</b> Support de montage du carquois | <b>G.</b> Dispositif d'armement de la corde de l'arbalète (corde d'armement) | <b>J.</b> Vis et rondelles de blocage de branche (3) | <b>N.</b> Corps principal de l'arbalète (crosse/fût) |
| <b>C.</b> Vis du support du carquois (2) | <b>H.</b> Grande clé Allen d'assemblage                                      | <b>K.</b> Étrier à pied                              | <b>O.</b> Lunette de visée illuminée 4x32 et bagues  |
| <b>D.</b> Vis du carquois (2)            |  | <b>L.</b> Vis de l'étrier (2)                        | <b>P.</b> Lubrifiant pour le rail                    |
| <b>E.</b> Carquois                       |  |  |  |



### LES PIÈCES D'UNE ARBALÈTE TRADITION 405

Le fait de bien connaître la terminologie employée pour décrire les pièces d'une arbalète vous aidera lors de l'assemblage. Ce schéma montre une Arbalète à poulies Tradition 405 entièrement assemblée, armée et chargée.

- |                                     |  |                                 |                             |
|-------------------------------------|--|---------------------------------|-----------------------------|
| <b>1.</b> Crosse                    | <b>7.</b> Poche de branche                         | <b>13.</b> Lunette de visée     | <b>18.</b> Riser            |
| <b>2.</b> Câbles                    | <b>8.</b> Étrier à pied                            | <b>14.</b> Détente              | <b>19.</b> Rail             |
| <b>3.</b> Corde                     | <b>9.</b> Poulie                                   | <b>15.</b> Garde-main           | <b>20.</b> Carquois         |
| <b>4.</b> Branche séparée           | <b>10.</b> Rail                                    | <b>16.</b> Rainure de lancement | <b>21.</b> Crosse           |
| <b>5.</b> Vis de blocage de branche | <b>11.</b> Ressort de retenue à roulement à billes | <b>17.</b> Tranche-fil          | <b>22.</b> Rainure de corde |
| <b>6.</b> Flèches                   | <b>12.</b> Bloc de visée                           |                                 |                             |



## Section 3 : Assemblage de votre Tradition 405

 Veuillez consulter le [centerpointarchery.com/tradition-405#dm](http://centerpointarchery.com/tradition-405#dm) pour trouver une vidéo utile qui vous montre comment assembler votre Tradition 405, étape par étape.

Environ 30 minutes devraient être nécessaires pour bien assembler votre arbalète à poulies Tradition 405. En plus du matériel et des outils fournis, vous aurez besoin d'un tournevis à tête plate. Veuillez suivre les étapes ci-dessous, dans l'ordre :

### 1 Installing The Riser

- 1a** Attachez la glissière des câbles (M) aux câbles de façon que ceux-ci traversent du côté gauche de la poignée. (Fig.3)
- 1b** Glissez la glissière des câbles dans l'ouverture à l'extrémité du fût tout en glissant la corde vers le bas à partir du haut du rail. (Fig.4)
- 1c** Glissez le riser (Fig. 2 n° 18) dans le fût. Installez et serrez les vis de branche (3) (Fig.5), à l'aide de la petite clé hexagonale.

### 2 Comment insérer l'étrier

- 2a** Attachez l'étrier au riser à l'aide des 2 vis (L) de l'étrier et de la petite clé Allen. (Fig.6)

**REMARQUE :** Assurez-vous que le boulon du riser et l'assemblage du riser sont solidement fixés au fût de l'arbalète avant d'utiliser l'arbalète. Il peut s'avérer nécessaire de resserrer périodiquement les boulons d'assemblage après l'utilisation.

### 3 Comment assembler le carquois

- 3a** Vissez la fixation du carquois dans le carquois avec les vis du carquois à l'aide du tournevis (non fourni). (Fig.7)

- 3b** Fixez le support du carquois parallèle au bas du rail picatinny. (Fig.8)

### 4 Comment fixer le carquois à l'assemblage du riser

- 4a** Connectez la fixation A du carquois à la fixation B du carquois en faisant glisser les deux fixations ensemble et en les verrouillant en place avec le levier de verrouillage.

- 4b** Assurez-vous que le carquois est bien verrouillé.

### 5 Comment attacher la lunette de visée

- 5a** Fixez les bagues de montage de la lunette de visée sur la lunette de visée à l'aide des vis de montage de la lunette de visée (4).

- 5b** Positionnez votre lunette de visée en la déplaçant vers l'avant ou l'arrière jusqu'à ce que le bon dégagement oculaire soit trouvé. Ce dégagement est habituellement de trois ou quatre pouces entre l'œil et l'oculaire lorsque vous tenez l'arbalète en position de tir.

- 5c** Alignez le support de la lunette de visée sur les rainures du rail du bloc de visée. (Fig.9)

- 5d** Alignez les vis sur les rainures du rail et serrez les vis à l'aide d'un tournevis (non fourni).

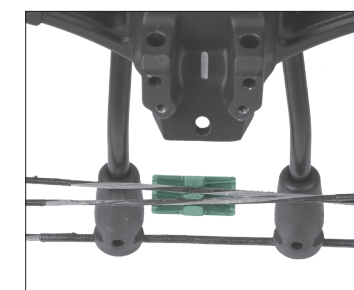


FIGURE 3

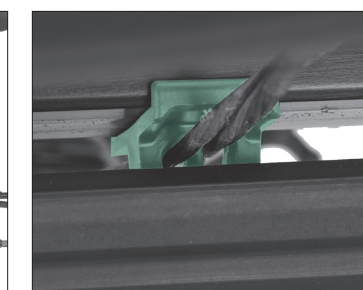


FIGURE 4

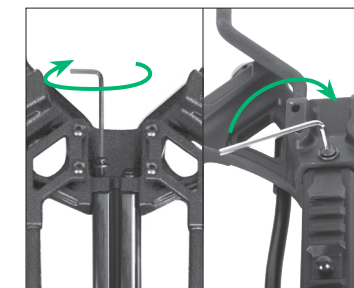


FIGURE 5

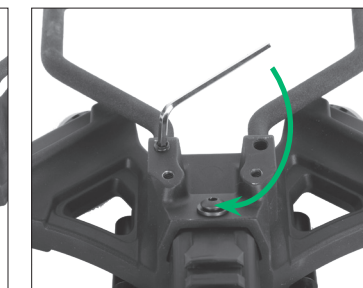


FIGURE 6

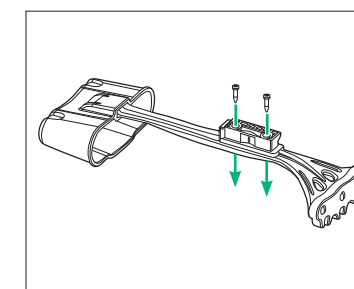


FIGURE 7

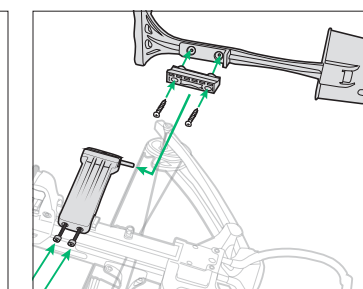


FIGURE 8



FIGURE 9



## Section 4 : Comment Faire Fonctionner La Sûreté

**ATTENTION:** COMME TOUT DISPOSITIF MÉCANIQUE, IL EST POSSIBLE QUE LA SÛRETÉ DE L'ARBALÈTE FASSE DÉFAUT. MÊME LORSQUE LA SÛRETÉ EST ENCLENCHÉE, VOUS DEVRIEZ CONTINUER À MANIPULER L'ARBALÈTE AVEC PRÉCAUTION.

**REMARQUE:** La sûreté s'enclenche automatiquement et le cran de sûreté se déplace sur la position « SAFE » lors d'une procédure d'armement normale (voir Section 6. COMMENT ARMER L'ARBALÈTE).

### 1 Pour ENCLENCHER la sûreté de l'arbalète (position « SAFE »)

- 1a Assurez-vous que l'arbalète pointe vers un ENDROIT SÛR.
- 1b Glissez le cran de sûreté de la position « FIRE » à la position « SAFE ». (Fig.10)
- 1c La sûreté de l'arbalète est ENCLENCHÉE lorsque le cran de sûreté est déplacé complètement vers l'arrière, à côté du point vert.

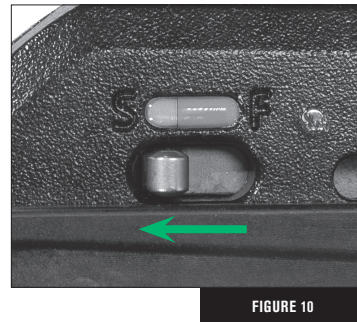


FIGURE 10

### 2 Pour mettre l'arbalète sur la position « FIRE »

- 2a Assurez-vous que l'arbalète pointe vers un ENDROIT SÛR.
- 2b Repérez le cran de sûreté sur le côté de la crosse.
- 2c Glissez le cran de sûreté vers l'avant en direction de la position « FIRE ». (Fig.11)
- 2d La sûreté de l'arbalète est DÉGAGÉE et l'arbalète est prête à tirer lorsque le cran de sûreté est déplacé complètement vers l'avant, à côté du point rouge (« FIRE »).  
**IMPORTANT :** Après avoir armé l'arbalète, l'utilisateur doit déplacer le cran de sûreté de la position « SAFE » à la position « FIRE » SEULEMENT si une flèche/un carreau a été chargé(e).



FIGURE 11

## Section 5: Using Your Tradition 405

**AVERTISSEMENT:** VOTRE ARBALÈTE FONCTIONNERA DE FAÇON OPTIMALE SI VOUS UTILISEZ LE DISPOSITIF D'ARMEMENT DE LA CORDE QUI A ÉTÉ CONÇU POUR VOTRE ARBALÈTE. L'UTILISATION D'AUTRES DISPOSITIFS D'ARMEMENT AVEC DES LONGUEURS DE CORDE ET DES CROCHETS DE DESIGN DIFFÉRENT PEUT REPRÉSENTER UN DANGER POUR L'UTILISATEUR ET ENDOMMAGER VOTRE ARBALÈTE.

- NE PAS armer ou charger l'arbalète si vous n'êtes pas dans un endroit sûr et en place pour effectuer le chargement et le tir en toute sécurité.
- Assurez-vous d'appliquer le lubrifiant pour rail sur le rail de lancement avant d'armer l'arbalète.

**REMARQUE:** Pour armer votre arbalète, la sûreté doit être sur la position « fire ». Pendant l'armement de l'arbalète, la sûreté se déplacera en position enclenchée (sur la position « safe »).

### 3 COMMENT ARMER L'ARBALÈTE

- 3a Mettez la sûreté sur la position « FIRE ». L'arbalète ne s'armera pas si la sûreté est ENCLENCHÉE (sur la position « SAFE »). Appuyez sur la détente pour vérifier si elle est prête à recevoir la corde. Si la détente ne bouge pas, cela signifie que la sûreté est ENCLENCHÉE (sur la position « SAFE ») et que l'arbalète ne peut pas être armée.
- 3b Placez l'étrier d'armement sur le sol et posez solidement votre pied à l'intérieur.
- 3c Placez le centre de la corde d'armement dans la rainure de corde. (Fig.12 n° 22)
- 3d Placez le chariot d'armement sur la corde de l'arbalète en vous assurant que la corde est bien posée sur le chariot, puis tirez avec une force uniforme. (Fig.12)
- 3e Tirez sur les deux poignées en T en même temps, en tirant sur la corde de l'arbalète vers l'arrière pour la placer sous le ressort de rétention et dans l'ouverture de corde du mécanisme de la détente (la tension maintiendra le chariot d'armement contre le rail, si le processus a été effectué correctement). (Fig.13)
- 3f Continuez à tirer sur la corde de l'arbalète jusqu'à ce que le cran de sûreté de la détente se déplace sur la position « SAFE ». (Fig.10)
- 3g Relâchez légèrement la tension pour vérifier si le loquet de la détente a bien saisi la corde de l'arbalète.  
**REMARQUE :** La corde devrait s'enclencher en place et la sûreté devrait s'enclencher automatiquement. Si la corde est saisie dans le verrou de la détente, lâchez la corde.
- 3h Une fois armée, retirez le chariot d'armement de la corde d'armement de l'arbalète
- 3i L'arbalète est désormais armée et prête à être chargée à l'aide d'une flèche.

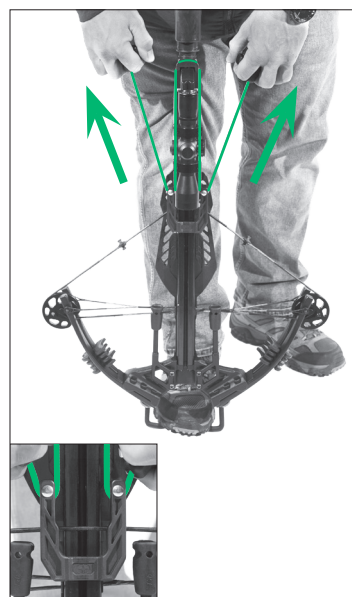


FIGURE 12

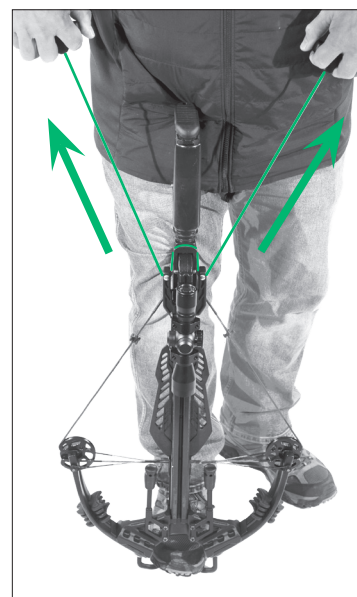


FIGURE 13

## Section 5 : Utilisation de votre Tradition 405 (suite)

**AVERTISSEMENT:** NE JAMAIS UTILISER VOTRE MAIN NI LA CORDE D'ARMEMENT POUR DÉARMER L'ARBALÈTE ÉTANT DONNÉ QUE CELA PEUT PROVOQUER DES BLESSURES GRAVES À L'UTILISATEUR OU ENDOMMAGER L'ARBALÈTE.

### 4 COMMENT CHARGER L'ARBALÈTE

- 4a Vérifiez si la sûreté de l'arbalète est sur la position « SAFE »
- 4b Pointez votre arbalète vers un ENDROIT SÛR.
- 4c Assurez-vous d'utiliser des flèches/carreaux de la taille et du poids recommandés. (Voir le tableau des caractéristiques pour toute information relative aux flèches et aux carreaux)
- 4d Placez la flèche ou le carreau de manière à ce que la penne/l'empennage d'armement (penne/empennage de couleurs variées) soit dans la rainure de lancement (fig.14).
- 4e Glissez la flèche/le carreau vers le boîtier de la gâchette, sous le ressort de rétention de la flèche/du carreau, jusqu'à ce que la flèche et encoche demi-lune repose entièrement sur la corde.
- 4f Après avoir suivi les étapes ci-dessus et lu tout le guide d'utilisation, y compris la section au sujet des règles de sécurité, votre arbalète est maintenant chargée et prête à tirer.

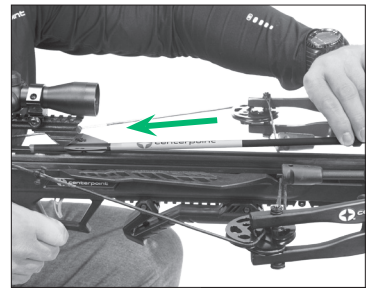


FIGURE 14

**AVERTISSEMENT:** GARDEZ LA SÛRETÉ DE VOTRE ARBALÈTE EN POSITION « SAFE » JUSQU'À CE QUE VOUS SOYEZ VRAIMENT PRÊT À TIRER. PUSSEZ ENSUITE LA SÛRETÉ VERS L'AVANT POUR LA METTRE EN POSITION « FIRE ».

### 5 POUR AJUSTER LE RESSORT DE RÉTENTION DU CARREAU

- Si le ressort de rétention se desserre ou est abîmé, il peut être remplacé.

#### 1 Pour remplacer le ressort de rétention

- 1a Retirez les deux vis du sommet du rail Picatinny. (Fig.15 C)
- 1b Retirez le rail Picatinny de l'arbalète et retournez-le.
- 1c Retirez les deux vis maintenant le ressort de rétention en place, sous le rail Picatinny. (fig.15 B)
- 1d Installez le nouveau ressort de rétention et resserrez les deux vis.
- 1e Réinstallez le rail Picatinny sur le mécanisme de la détente et resserrez les deux vis au sommet du rail.

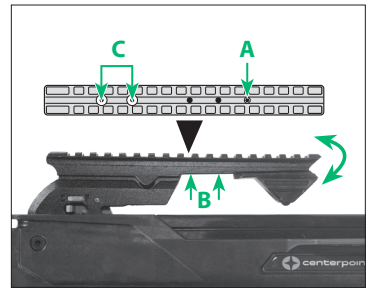


FIGURE 15

**AVERTISSEMENT:** GARDEZ LES DOIGTS ET LE POUCE EN DESSOUS DE LA TRAJECTOIRE DE LA CORDE ET DES CÂBLES. LE NON-RESPECT DE CET AVERTISSEMENT PEUT PROVOQUER DES BLESSURES GRAVES.

### 6 COMMENT VISER ET TIRER EN TOUTE SÉCURITÉ

#### 1 Comment viser avec l'arbalète

- Toujours pointer l'arbalète vers un ENDROIT SÛR.
- Toujours gardez les doigts et le pouce en dessous de la trajectoire de la corde de l'arc. (Fig.16)
- L'utilisateur, ainsi que toute personne se trouvant à proximité, doivent toujours porter des lunettes de tir pour protéger leurs yeux. L'arbalète pointant vers le champ de tir et portée à l'épaule, placez votre main sur le fût et l'autre main positionnée sur le garde-main et en dessous de la trajectoire de la corde. (Fig.16)
- Ne tirez pas sur des surfaces dures ou sur la surface de l'eau. Les flèches peuvent rebondir ou ricocher en direction d'une personne ou de quelque chose que vous n'aviez pas l'intention d'atteindre.
- Choisissez toujours votre cible avec prudence.
- **PENSEZ** à ce que vous pourriez atteindre si vous ratiez la cible. Fig.16.



FIGURE 16

#### 2 Comment régler la visée de votre arbalète

- L'arbalète est dotée d'une lunette de visée. Suivez les instructions fournies avec votre lunette de visée pour l'installation et le réglage de votre optique.

#### 3 Comment tirer avec l'arbalète

- L'arbalète pointant vers un ENDROIT SÛR et vos mains dans la bonne position, dégagez la sûreté en la poussant complètement vers l'avant (voir section 5B).



FIGURE 17





## Section 5 : Utilisation de votre Tradition 405 (suite)

---

### 7 COMMENT DÉSARMER L'ARBALÈTE

---

**⚠ AVERTISSEMENT:** NE JAMAIS UTILISER VOTRE MAIN NI LES CHARIOT D'ARMEMENT POUR DÉSARMER L'ARBALÈTE ÉTANT DONNÉ QUE CELA PEUT PROVOQUER DES BLESSURES GRAVES À L'UTILISATEUR OU ENDOMMAGER L'ARBALÈTE.

---

- N'armez et ne chargez pas votre arbalète tant que vous n'êtes pas dans un endroit sûr et en position pour tirer en toute sécurité.
- **TOUJOURS** déterminer la cible et ce qui se trouve derrière avant de tirer.
- Si pour une raison quelconque vous devez désarmer votre arbalète, **NE FAITES JAMAIS DE TIR À VIDE**. Chargez une vieille flèche et tirez sur une cible sûre après avoir suivi les instructions contenues dans ce guide. Un tir à vide peut provoquer des blessures graves et endommager votre arbalète.

## Section 6 : Comment entretenir votre Tradition 405

---

### COMMENT ENTREtenir VOTRE ARBALÈTE

- **NE JAMAIS TIRER À VIDE AVEC UNE ARBALÈTE.**
- **NE JAMAIS MODIFIER NI TRANSFORMER L'ARBALÈTE.** Toute tentative de modification de l'arbalète contrevenant de quelque manière que ce soit aux instructions de ce guide, peut rendre son utilisation dangereuse, peut provoquer des blessures graves voire la mort et annulera la garantie.
- Si vous laissez tomber l'arbalète, examinez-la pour voir si elle fonctionne bien avant de l'utiliser à nouveau. Si quelque chose vous semble différent, comme une détente plus courte ou plus faible, il pourrait s'agir de pièces cassées.
- Vérifiez toujours soigneusement votre arbalète pour déceler des pièces usées, endommagées, desserrées ou manquantes avant de tirer. Appelez le service clientèle au (1-866-726-1122) pour obtenir de l'aide avant d'utiliser à nouveau votre arbalète.
- Appliquez périodiquement une fine couche de lubrifiant à base de silicone sur toutes les pièces de métal pour empêcher toute corrosion.
- On recommande également d'appliquer du lubrifiant à rail (compris) afin de réduire l'effilochage et l'usure. Appliquer sur le rail une petite quantité de lubrifiant à rail tous les 12 à 15 tirs. **NE PAS** cirer la partie centrale de la corde d'arbalète puisque cela peut entraîner l'accumulation de cire dans le mécanisme de détente. Garder le rail de lancement lubrifié et la corde et les câbles cirés pour réduire la friction. Toujours vérifier et remplacer les cordes et les câbles effilochés et usés.
- Changez les cordes et des câbles lorsqu'elles sont usées ou effilochées, quand elles ont tiré plus de 400 coups ou quand elles ont plus de 2 ans. Faites appel à une boutique spécialisée en produits de tir à l'arc pour changer les cordes et des câbles. Cette opération exige de l'expérience et une presse à arc que vous trouverez dans des boutiques spécialisées en produits de tir à l'arc.
- Inspectez toutes les flèches pour déceler toute usure, entaille ou tout dommage avant de les utiliser. Si des entailles ou des dommages d'usure sont présents, éliminez les flèches de façon adéquate.
- Toujours ranger l'arbalète dans un endroit frais et sec. Ne pas exposer l'arbalète à une chaleur excessive comme par exemple, dans le coffre d'une voiture par temps chaud et ensoleillé ou en la rangeant près d'une source de chaleur.





## CARACTÉRISTIQUES TECHNIQUES

PUISSANCE DE L'ARBALÈTE	130 lb	DÉTENTE	Technologie de détente brevetée – Inhibiteur de tir à sec
PIEDS/S	Jusqu'à 300	POIDS	8,1 lb
CROSSE, MONTURE, FÛT	Composite	LONGUEUR	33,2"
BRANCHE	Fibre de verre comprimée	LARGEUR	37,5 cm armée, 47,6 cm non armée
OPTIQUE	1x40	FLÈCHE	50,8 cm, 25,9 g avec encoche demi-lune
RISER	Aluminium		

### GARANTIE LIMITÉE RELATIVE AUX ARBALÈTES CENTERPOINT

Votre arbalète CenterPoint® est garantie contre tout défaut de matériaux et de fabrication pendant une période de 5 ans à partir de la date d'achat. Cette garantie n'est pas transférable et pour cette raison, seul le propriétaire initial peut s'en prévaloir. Cette garantie ne couvre pas les dommages causés par l'usure normale ou une négligence dans l'entretien de routine, et elle ne couvre pas les câbles, les cordes ni les accessoires. Dans le cas d'une défectuosité couverte par cette garantie, CenterPoint procédera à la réparation ou au remplacement du produit, à sa discrétion, si toutefois l'inspection indique qu'une défectuosité d'origine est en cause. CenterPoint se réserve le droit de remplacer tout produit qui n'est plus en production par un produit de valeur et de fonction comparables. Si CenterPoint détermine que la réparation n'est pas couverte au titre de la garantie, il se peut que cette réparation soit à vos frais. Il s'agit d'une garantie limitée qui ne couvre pas les dommages causés par le feu, un usage abusif, un maniement inadéquat ou une installation ou un entretien effectué par un tiers autre qu'un centre de service autorisé CenterPoint.

CETTE GARANTIE LIMITÉE N'INCLUT PAS LES DOMMAGES INDIRECTS, LES DOMMAGES OU FRAIS ACCESSOIRES, Y COMPRIS LES DOMMAGES MATÉRIELS OU TOUTE AUTRE DÉPENSE ENGAGÉE. CENTERPOINT DÉCLINE TOUTE GARANTIE IMPLICITE, Y COMPRIS LES GARANTIES TACITES DE QUALITÉ MARCHANDE ET D'ADÉQUATION À UN USAGE PARTICULIER. CERTAINS ÉTATS NE PERMETTENT PAS L'EXCLUSION OU LA LIMITATION DES DOMMAGES ACCESSOIRES OU INDIRECTS OU PERMETTENT DES RESTRICTIONS SUR LES GARANTIES IMPLICITES, PAR CONSÉQUENT, LES CLAUSES LIMITATIVES OU EXCLUSIVES CI-DESSUS PEUVENT NE PAS S'APPLIQUER DANS VOTRE CAS. SI UNE DISPOSITION DE CETTE GARANTIE EST INTERDITE EN VERTU D'UNE LOI FÉDÉRALE, NATIONALE, OU MUNICIPALE, SUR LAQUELLE LA DISPOSITION NE PEUT PRÉVALOIR, CETTE DERNIÈRE NE SERA PAS APPLICABLE. CETTE GARANTIE VOUS CONFÈRE CERTAINS DROITS RECONNUS PAR LA LOI. VOUS POUVEZ ÉGALEMENT DÉTENIR D'AUTRES DROITS QUI VARIENT D'UN ÉTAT À L'AUTRE ET D'UN PAYS À L'AUTRE.

### ATTENTION – AVANT DE RETOURNER CE PRODUIT AU MAGASIN :

Communiquez avec un représentant du service à la clientèle pour obtenir de l'aide au (866) 726-1122 ou par le biais du site [centerpointarchery.com](http://centerpointarchery.com).

### RÉCLAMATIONS AU TITRE DE LA GARANTIE / SERVICE DE RÉPARATION

Si votre produit a besoin d'être réparé, N'ESSAYEZ PAS DE LE DÉMONTER. Tout démontage et toute modification effectués autrement que par un centre de service après-vente CenterPoint autorisé annuleront la garantie.

**Clients des États-Unis :** Communiquez avec le service à la clientèle de CenterPoint par le biais du site [centerpointarchery.com/contact/](http://centerpointarchery.com/contact/) ou à l'adresse postale ci-dessous. Nous vous indiquerons où et comment envoyer votre produit CenterPoint aux fins de réparation ou de remplacement au titre de la garantie, ou nous vous dirigerons vers un centre de service autorisé.

#### CenterPoint Archery

Attn: Warranty Dept.  
3535 Tower Ave  
Superior, WI 54880

Si on vous invite à expédier votre produit CenterPoint à des fins de réparation ou de remplacement, veuillez inclure votre produit, une copie de votre reçu et une brève description écrite du problème. N'oubliez pas d'inclure votre nom, adresse postale, adresse e-mail et numéro de téléphone dans l'emballage.

Nous vous recommandons fortement d'assurer votre expédition et de recourir aux services d'un expéditeur qui fournit un numéro de suivi. CenterPoint n'est pas responsable des marchandises endommagées, perdues ou volées pendant l'expédition en direction ou en provenance de CenterPoint.

Veuillez prévoir de 2 à 4 semaines pour effectuer une réparation ou un remplacement.

**Clients canadiens :** Pour un service au titre de la garantie, veuillez communiquer avec l'agence Gravel, située à Québec, au (866) 662-4869.

**Clients à l'extérieur des États-Unis ou du Canada :** Pour un service au titre de la garantie, veuillez communiquer avec le détaillant ou le distributeur auprès duquel vous avez acheté votre produit CenterPoint. Si vous ne connaissez pas le détaillant ou le distributeur, ou s'il vous est impossible de communiquer avec ce dernier, vous pouvez communiquer avec notre service international pour obtenir de l'aide en composant le (715) 718-3574 ou par le biais du site [centerpointarchery.com](http://centerpointarchery.com).



#### CenterPoint Archery

3535 Tower Ave.  
Superior, WI 54880  
United States of America  
1.866.726.1122  
[centerpointarchery.com](http://centerpointarchery.com)

Fabriqué à Taiwan

CENTERPOINT et le logo CENTERPOINT sont des marques de commerce de Crosman Corporation.

CenterPoint est une marque de commerce de Crosman Corporation aux États-Unis. © 2022 Crosman Corporation 02-22 0M

C0002-515



